

USER INSTRUCTIONS & SAFETY INSTRUCTIONS

Tipi play tent for children - model no.: 003 large set cream/white



Read the operating instructions carefully, especially the warnings, before setting up the children's tent. Failure to do so may result in injury or damage to the tent. Keep these instructions for further use. If you pass on the tent, please also pass along these instructions.

Intended Use:

The tent is designed exclusively for children to play in and is intended for private use and is not suitable for commercial use.

Safety instructions:

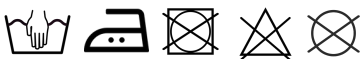
- DANGER! Not suitable for children under 3 years. Danger of suffocation due to small parts that can be swallowed.
- DANGER! Long cord. Danger of strangulation.
- Do not hang decorations, fairy lights or other things in or on the tent that children can get caught on while playing.
- Make sure there is always a way to escape from the tent.
- Improper assembly and use can result in injury. Set up the tent on a flat surface. Maintain a distance of 1.5 m from other structures in all directions.
- Only allow children to use the tent under supervision.
- The tent must be set up by an adult.
- Keep the tent away from extreme temperatures and open flames.

Storage:

- Use the included carry bag for storage and when traveling.
- Keep the tent out of the reach of children.

Cleaning and care:

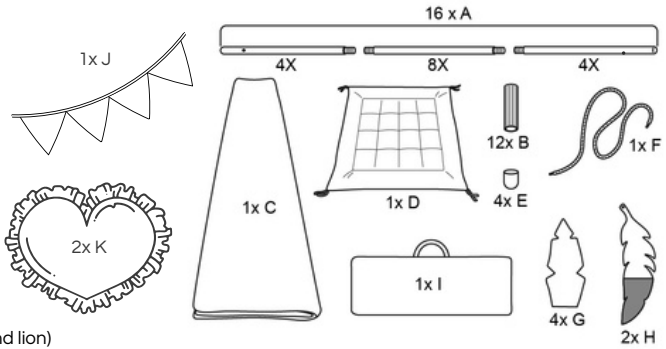
- We recommend only washing the tent by hand and ironing it before setting it up.



**LIONHERZ**

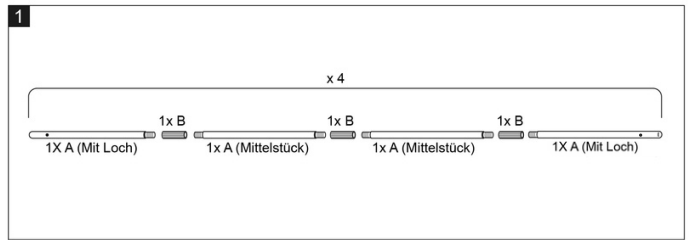
SCOPE OF DELIVERY:

- A - 16 screwable wooden sticks
- B - 12 connecting pieces
- C - 1 tent fabric
- D - 1 cuddly mat
- E - 4 protective caps
- F - 1 rope
- G - 4 decorative fabric springs
- H - 2 decorative wooden feathers
- I - 1 carrying bag
- J - 1 bunting
- K - 2 pillowcases with Filling (heart and lion)



ASSEMBLY INSTRUCTIONS:

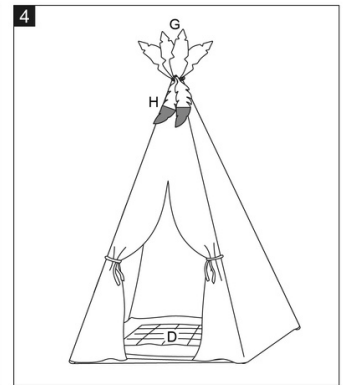
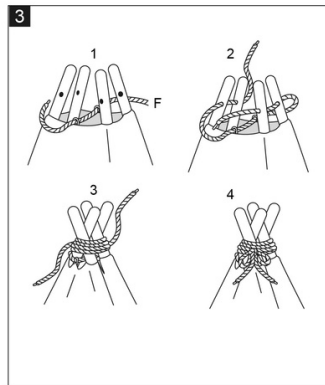
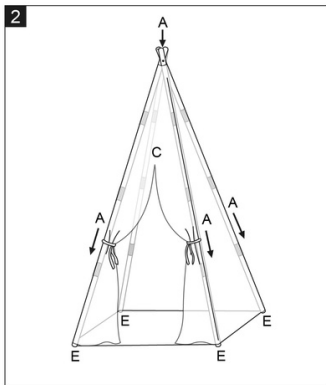
First, 4 wooden sticks A (1 end piece with hole, 2 middle pieces and again 1 end piece with hole) must be screwed together with 3 connecting pieces B, so that 4 long rods are created.



Carefully insert these 4 tent poles into the tunnels of the tent fabric C and set up the teepee. The protective caps E can already be attached to the feet.

Then thread the rope F first through the loops of the tent fabric and then through the holes in the tent poles, cross the poles, tie the rope twice and knot it.

Last but not least, place the cuddly mat D in the tipi, attach the fabric feathers G to the ends of the poles, hang the wooden feathers H above the tipi entrance and decorate with bunting J and the cushions K.



You can also find detailed video assembly instructions on YouTube or our homepage www.lionherz.at

COMPLETE :)

THANK YOU SO MUCH FOR YOUR TRUST AND HAPPY PLAYING

your Martina from
LIONHERZ